



UFO POWER TECHNOLOGIES

Solar Battery System 48V Series





Application Scenarios

UFO LiFePO4 battery is tailored for solar storage system and is a new generation of green energy with advantages of high energy density, ultra-long cycle life, well temperature property, excellent safety property, high reliability, suitable for large - scale station and residential energy storage system

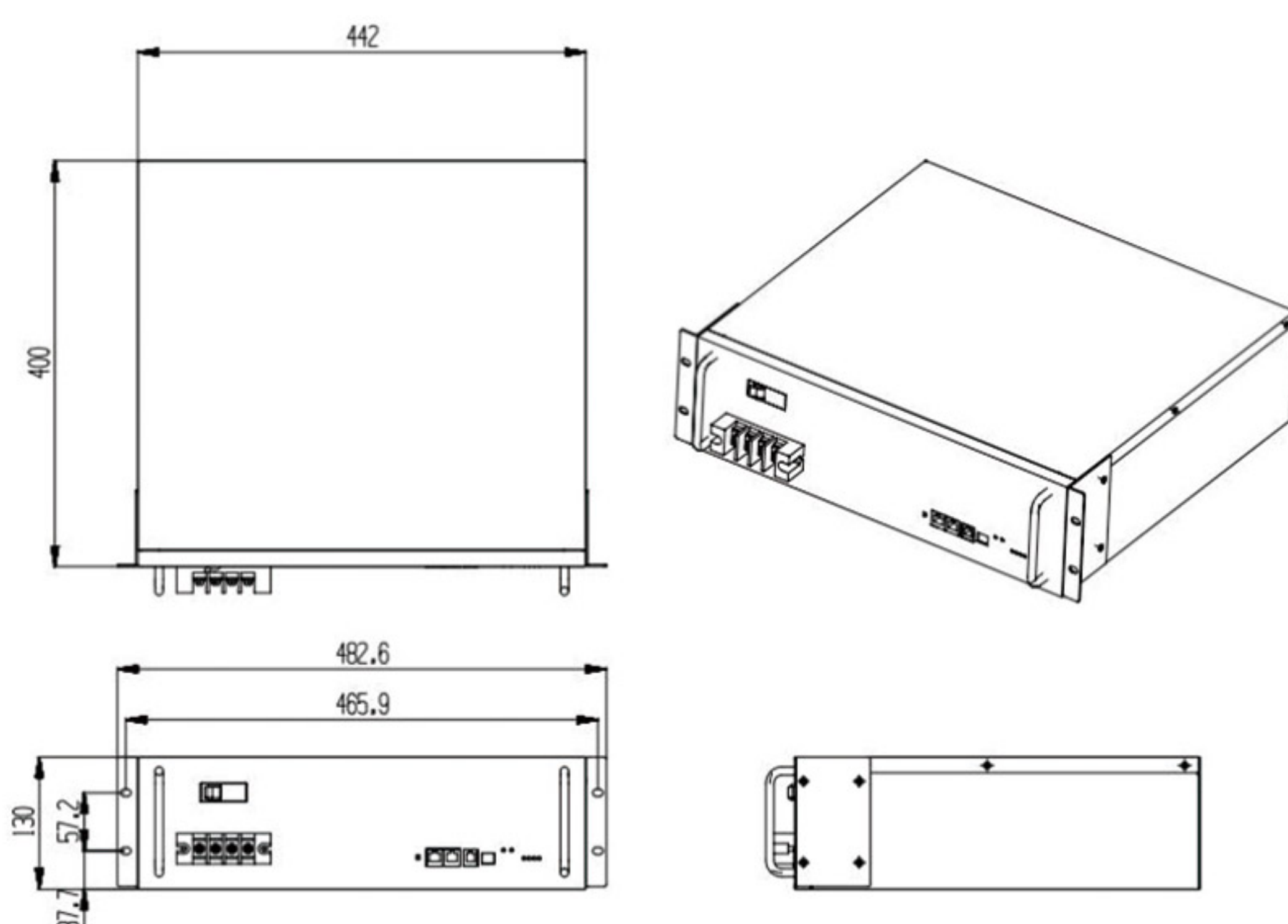
Key characteristic

- ▣ High energy density: more energy with less weight and footprint
- ▣ High charge and discharge currents (short charge period)
- ▣ Long battery (up to 3 times the battery life of a conventional battery)
- ▣ High efficiency between charging and discharging
- ▣ Higher continual power available
- ▣ Wide operating temperature. Predictable end of life due BMS controller
- ▣ Choose different inverter protocol directly from software

Smart BMS Protection

- ▣ Cell voltage monitoring
- ▣ Charge/discharge current monitoring
- ▣ Hardware & Software double protection
- ▣ Discharge control
- ▣ Charge control
- ▣ Balance
- ▣ Temperature Monitoring
- ▣ Work Status Indication LCD & LED lamp
- ▣ PACK Voltage Monitoring
- ▣ Failure alarm
- ▣ Dry contact

Overall dimensions



UFO LifePO4 BATTERY SPECIFICATIONS

BASIC SPECIFICATION	
	4.8Kwh
Nominal Voltage [V]	48-51V
Nominal Capacity [Ah]	100
Width [mm]	442
Height [mm]	130
Depth [mm]	450
Net Weight [Kg]	40kg
IP Level	22
ELECTRICAL SPECIFICATION	
Output Power [W]	4.8Kw
Voltage Window [V]	37.5~55.5
Charge Voltage [V]	53.5~55.5
Max. Charge / Discharge Current [A]	100A
Recommend Charge Current [A]	0.2C 20A
Charge Mode	CC-CV
Scalability	15 PCS Up to 72Kwh
OTHERS	
Communication	CAN/ RS485/ RS232/ Dry Contact
Charge Temperature	0 - 55 °C
Discharge Temperature	-20 - 60 °C
Temperature & Period Storage	12 Months @-10~35°C 3 Months @-10~45°C 7 day @-20~65°C
Designed Life	10+Years
Cycle Life	More than 6000 Cycles @25°C 0.2C 80%DOD
Certification Standard	CE/UN38.3/ROHS